

# Channel Trap



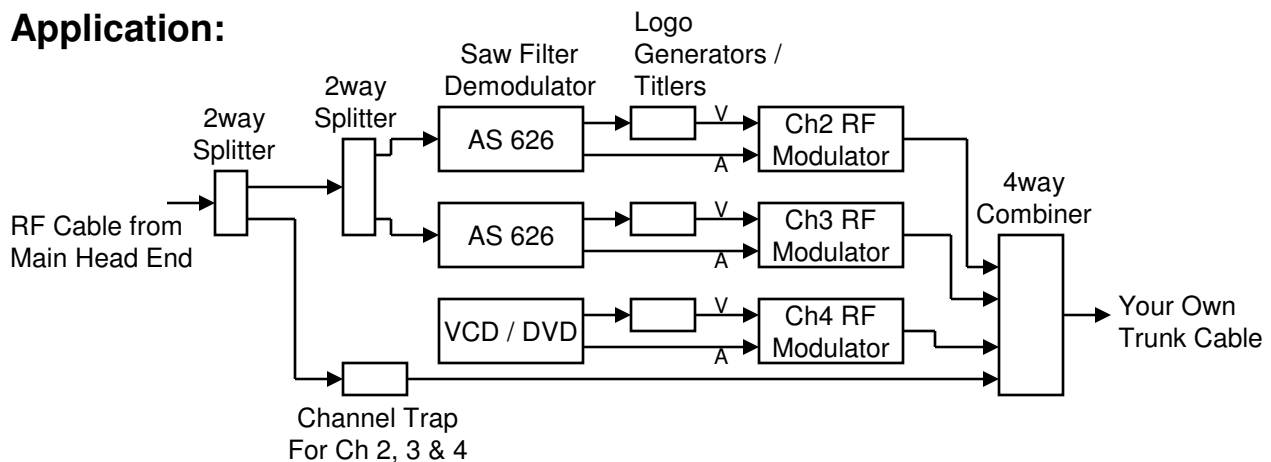
Cable Operator getting a Trunk Cable or Fiber Cable from a MSO can remove some channels using **Sharp Vision's Channel Trap**, so as to add Channels of his choice. **Sharp Vision's Channel Trap** is capable of removing the channels (CH2 / CH2&3 / Band-I or as per reqt) from a trunk cable carrying many channels without disturbing other channels. The cable operator can add other programs on the same channels in the trunk cable using RF Modulators and RF Combiner for further distribution.

## Features:

- Models - CH2 / CH2&3 / Band-I / As per your reqt of Ch. Nos
- Trapped Channel Loss: -60 dB
- Adjacent Channel Loss: -1.5 dB
- ABS unbreakable plastic cabinet
- Increases cable operators' income
- Add your advertisements using Sharp Vision Agile Demodulator
- Power Pass



## Application:



**Renew your signal using Demodulator:** When the input signal to your control room has poor C/N, it cannot be taken to further distance. Use Saw Filter Demodulator AS 626 and modulate again to have the improved video signal for further transmission.

**For adding advertisements:** Use Demodulator to convert RF Signal of any channel into video and audio. Now insert your own Video Titler/Logo for giving advertisements and modulate again for further transmission.



An International Quality Product from **ANALOG SYSTEMS**

**website:** [www.sharpvisiononline.in](http://www.sharpvisiononline.in)

**Email:** [sales@sharpvisiononline.in](mailto:sales@sharpvisiononline.in) / [analogsystems@vsnl.net](mailto:analogsystems@vsnl.net)